



24V DC Input Electronic “Program Start”
High Efficiency Fluorescent Dimming Ballast



24W T5 HO (NB24-T524HO-01D)

KEY FEATURES

- Low-voltage, 2 wire (class 2)
- 0-10Vdc control technology
- Programmed rapid start design
- Ultra quiet operation
- State-of-the-art Phase Control
- 10% fluorescent dimming ballast

Tel: 313.887.1321
Web: nextekpower.com
Email: info@nextekpower.com



FEATURES

NB24-T524HO-01D

- Low-voltage, 2 wire (class 2) 0-10Vdc control technology turns lamps off (<1 Volts) at the bottom of the voltage range. Lamps can be switched back on to a previous dimming level instantly
- Programmed rapid start design: Lamps turn on to any dimmed level without flashing to full brightness
- State-of-the-art Phase Control operation resulting in continuous, flicker-free dimming from 100% to 10%.
- Inherent Thermal Protection
- Type I, Class P, Sound rated A
- USL 935 listed
- Input voltage is rated class 2, which does not require grounding. No provision exists for grounding. (Input 24V DC, <4A)

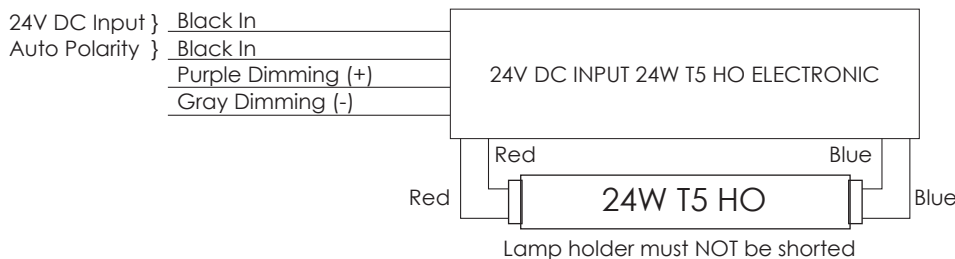
TECHNICAL SPECIFICATIONS

Operating Voltage:	24V DC (nominal) ±10%
Operating Current:	1.13 Amp @ 24V DC
Maximum Peak Inrush Current:	34 amps, 50 μS pulse width
Operating Temperature:	0°C-49°C
Maximum Ballast Factor:	1.0
Peak Efficiency	86%
Crest Factor:	<1.55
Analog Dimming:	0V DC - off, 1-10V DC - Dimming
Dimensions:	1.10"W x 0.96"H x 9.57"L
Weight:	16 Oz
Construction:	Steel
Operated With:	F24T5HO

All specifications are subject to change without notice.

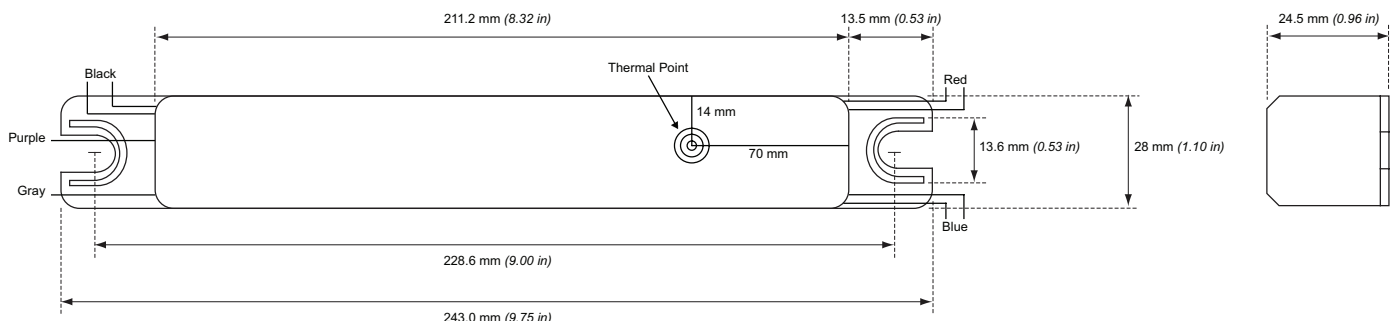
DC BALLAST WIRING DIAGRAM

Model: NB24-T524HO-01D



Protected by US Patent 7,224,131; 6,933,627; 6,693,395 and other patents pending

ENCLOSURE DIAGRAM



For more information:

Nextek Power Systems
 461 Burroughs Street
 Detroit, Michigan 48202

Tel: 313.887.1321
 Toll free: 1 (877) 24-VOLTS
 Fax: 313.887.9433

nextekpower.com
 dcballast.com
 info@nextekpower.com

Order on-line at <http://www.nextekpower.com/power-shop/>